

16

NEB 21 R-C

Power supply connectors

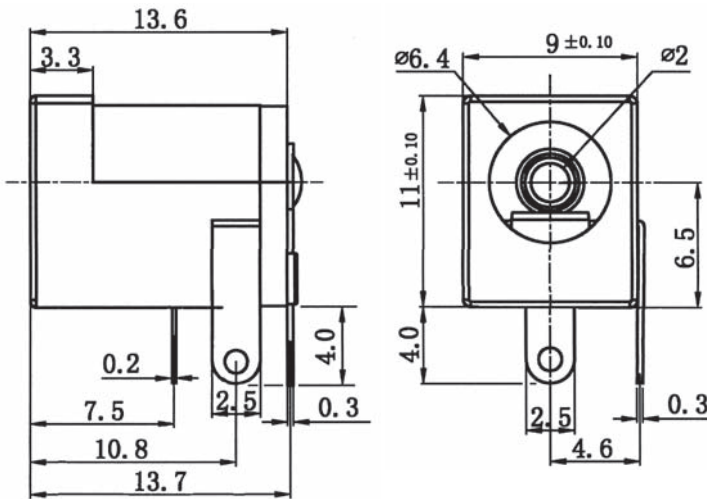


Power supply chassis socket, angular version, with break contact, for printed circuit boards

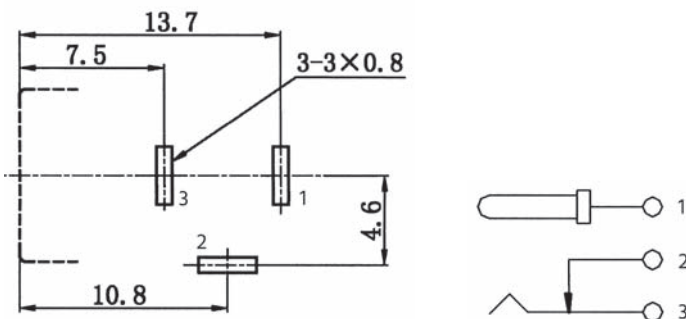
---

State: Obsolete

---



\*a



\*a printed circuit board layout, components side view

#### Environmental conditions

Temperature range -20 °C/+70 °C

#### Materials

Insulating body PBT GF, V-0 according to UL94  
Contact CuZn/steel, nickel-plated/pre-nickel and silver-plated

#### Mechanical data

Diameter opening 6.4 mm  
Diameter center pin 2 mm  
Mating cycles  $\geq 5000^1$   
Insertion force 2.94–19.6 N (initial value)  
Withdrawal force 2.94–19.6 N (initial value)

<sup>1</sup> measured with a gauge plug

#### Electrical data (at $T_{amb}$ 20 °C)

Contact resistance  $\leq 100$  m $\Omega$   
Rated current 2 A  
Rated voltage 24 V DC  
Rated impulse voltage 500 V/60 s  
Insulation resistance  $\geq 100$  M $\Omega$

#### Associated products

Counterparts  
 ☞ 1633 02      ☞ 1633 03      ☞ NES/J 21  
 ☞ NES/J 21 W      ☞ NES/J 210      ☞ XNES/J 210

16

NEB 21 R-C

Designation	Pole Number	PU (Pieces)	MDQ (Pieces)
NEB 21 R-C	2	250	750

**Packaging:**

in bulk, in a cardboard box or a plastic bag